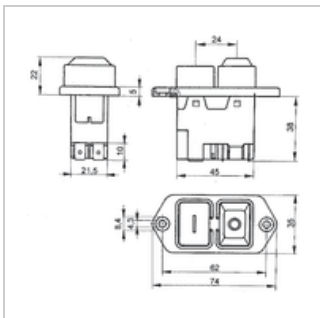
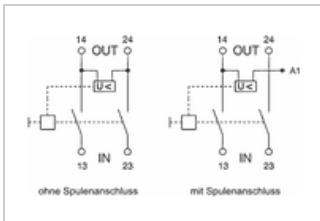




Insert switch Tripus TP3251, 306P300 (replacement for Kedu KJD17B)

Manufacturer:	Tripus
Type:	306P300.03
Product no.:	306P300
Weight:	0.090



■ Details

2-pole insert switch for machines and stationary power tools. Manufactured in Europe.

■ Properties

- 2-pole on-off switch
- Undervoltage release
- Optionally with or without coil connection
- Keypad cover / splash water proof cover
- Flat seal towards installation opening
- Usable as a replacement for Kedu KJD17B-C (KJD17 with lengthwise fixing)

■ Function

The switch has an undervoltage release. If there is a voltage at the input contacts 13 and 23, the solenoid gets powered and the switch is active.

The Rocker switch stays in the ON-position as long as there is a voltage or the switch is turned off. It is not a push button.

Due to the undervoltage release the switch turns off at voltage drop (power failure) and has to be switched back on manually. Therefore it won't switch on spontaneously and uncontrollably.

■ Available with or without solenoid (undervoltage release)

With the help of the coil connection (connection A1) the solenoid can be triggered with for example an external emergency stop-switch or thermal contacts.

■ Specifications

Switching function	On/off
Type of actuation	Buttons 0-I
Contacts	2 N/O contacts
Rated voltage Uc	230V / 50Hz
Switching capacity	AC-1 Ue:230V 16.0A AC-3 Ue:230V 14,5A
Protection class	Operating area IP54 with protective cap Operating area IP40 without protective cap Connecting area IP00
Connections	Faston terminals 6.3 x 0,8 mm (connections 13-14-, 23-24) Flat plug connection 2,8 x 0,8 mm (coil connection A1)
Housing material	Plastic PA
Dimensions (LxBxT)	Ca. 74 x 35 x 60 mm
Installation	2 screw holes Ø 4,2, spacing 62 mm
Installation opening	Ca. 46,5 x 22,2 mm
Mounting position	



	Any
Mark of conformity	VDE 0660 part 102, DIN EN 60947, UL
